

Features

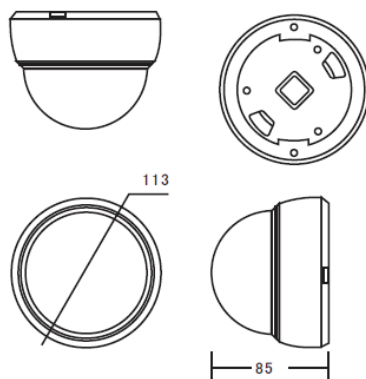
- Low illumination, Hisilicon DSP
- H.264/MJPEG dual-stream encoding
- Day/Night (ICR), support onvif 2.2
- 3.6mm lens
- 24pcs LED, 25m IR distance (without PoE)



SPECIFICATION

Model	PR IP-8513 PID	PR IP-8520 PID
Image Sensor	1/3" SONY Low Illumination Progressive Scan CMOS	1/2.8" SONY Low Illumination Progressive Scan CMOS
Effective Pixels	1280(H)*1024(V) 1.3 megapixel	1920(H)*1080(V) 2 megapixel
Lens	M12 interface, 3.6 mm High definition lens	
Shutter time	1/25s to 1/8000 s	
Signal System	PAL(25FPS)/NTSC(30FPS)	
S/N Ratio	≥50dB (AGC OFF)	
D-WDR	≥100db	
D&N	Support the IR- CUT switch ,ICR infrared filter	
LED	Φ5 x 24pcs LED	
Sensitivity	Color 0.05Lux@(F1.2,AGC ON), B/W 0.01Lux@(F1.2,AGC ON)	
Video Compression	H.264 Baseline,Main Profile,MJPEG	
Bit Rate	32Kbps~16Mbps CBR/VBRs	
Frame rate	1 to 30 FPS adjustable	
Resolution	Main stream:1920*1080,1280*720 Sub stream:720*576 , 640*480,640*352 , 320*240	
OSD Control	Supports channel name, date, and video stream information Superimposition supported, Location adjustable	
Image Settings	Saturation, brightness, contrast adjustable by client 、 web browser	
Network Protocols	TCP/IP、 UDP、 SMTP、 HTTP、 FTP、 PPPOE、 DHCP、 DNS、 DDNS、 NTP、 UPNP、 RTP、 RTSP	
Web browse	Internal Web Serve, Support IE6.0 or up Access service,16 users max	
Data storage	Video, Picture	
storage mechanism	Manual, automatic (cycle, time, alarm, switch, and motion detecting)	
Recording	Motion detection, video occlusion, video loss and set alarm time	
Alarm transmission	FTP,E-mail, browse, management software	
Access Protocol	ONVIF2.2 standard, Compatible with mainframe NVR	
Network Port	1 RJ45 10/100M self-adaptive Ethernet port	
Video port	1 channel BNC Video Output	
Operating Conditions	-20℃~+55℃; Humidity 90% or less (non-condensing)	
Power Supply	DC12V/1A	
Power Consumption	4.5W (MAX)	
IR distance	25M	
Weight	220g	
Dimensions	Φ113x85mm	

DIMENSION



Features

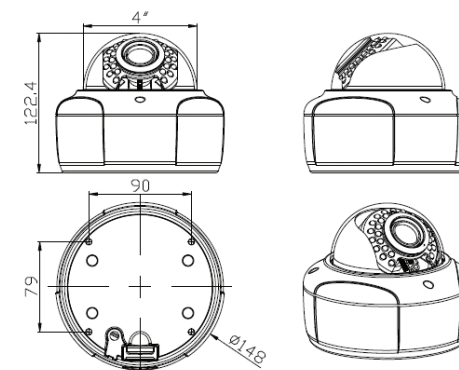
- 1/3" SONY Progressive scan CMOS
- low illumination, Hisilicon DSP
- H.264/MJPEG dual-stream encoding
- Day/Night (ICR), support Onvif 2.2
- 12-2.8mm HD zoom lens
- IP 66 water proof rating, vandal proof
- D-WDR
- 30pcs LEDs, IR distance 40-30 meters
- With PoE



SPECIFICATION

Model	PR IP-8213 VID	PR IP-8220 VID
Image Sensor	1/3" SONY Low Illumination Progressive Scan CMOS	1/2.8" SONY Low Illumination Progressive Scan CMOS
Effective Pixels	1280(H)*1024(V) 1.3 megapixel	1920(H)*1080(V) 2 megapixel
lens	M14 interface, 2.8 to 12 mm High definition lens	
Shutter time	1/25s to 1/8000 s	
Signal System	PAL(25FPS)/NTSC(30FPS)	
S/N Ratio	≥50dB (AGC OFF)	
D-WDR	≥100db	
D&N	Support the IR- CUT switch ,ICR infrared filter	
LED	Φ5 x 30pcs LEDs	
Sensitivity	Color 0.05Lux@F1.2, B/W 0.01Lux@F1.2	
Video Compression	H.264 Baseline,Main Profile,MJPEG	
Bit Rate	1Mbps 8Mbps,CBR/VBRs	
Frame rate	1 to 30 FPS adjustable	
Resolution	Main stream:1280*1024,1280*960,1280*720	
OSD Control	Sub stream:720*576 , 640*480,640*352 , 320*240	
Image Settings	Supports channel name, date, and video stream information Superimposition supported, Location adjustable	
Network	Saturation, brightness, contrast adjustable by client 、 web browser	
Protocols	TCP/IP、 UDP、 SMTP、 HTTP、 FTP、 PPPOE、 DHCP、 DNS、 DDNS、 NTP、 UPNP、 RTP、 RTSP	
Web browse	Internal Web Serve, Support IE6.0 or up Access service,16 users max	
Data storage	Video, Picture	
storage mechanism	Manual, automatic (cycle, time, alarm, switch, and motion detecting)	
Recording	Motion detection, video occlusion, video loss and set alarm time	
Alarm transmission	FTP,E-mail, browse, management software	
Access Protocol	ONVIF2.2 standard, Compatible with mainframe NVR	
Network Port	1 RJ45 10/100M self-adaptive Ethernet port	
Video port	1 channel BNC Video Output	
Operating Conditions	-20℃~+55℃; Humidity 90% or less (non-condensing)	
Power Supply	DC12V/1A(PoE Optional)	
Heat Module	Support Heater work under -40~ +55°Optional	
Power Consumption	4W (MAX) ,Heater 10W MAX optional	
IR distance	30-40 Meters	
Dimensions	Φ148*122.4mm	
Weight	820g	

DIMENSION



PoE(Power Over Ethernet)

The series is enable IEEE 802.3af, Class 3 standard of power-over-ethernet applications to allow the supply of power over the LAN cables, thereby simplifies the installation procedures. Cat5 Cable or higher (Cat5e, Cat6) cables are suitable. However the optional/ additional 12V DC socket is available. The network allows simultaneous recording on local built-in micro SD card or over remote FTP server. The TCP/IP IPv4 and IPv6 (DHCP fixed) versions are incorporated.

