



PR-IP 9700 LIPZ Series

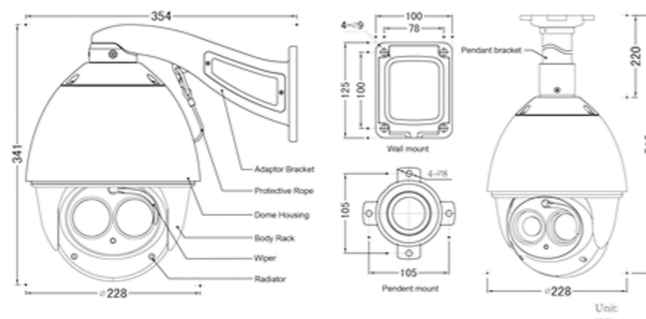
Features

- 720p/1080p FULL HD-IP
- Laser Projection Distance 300m
- All Cast Aluminium Material
- Powerful 20x/30x optical zoom
- Full Aluminium Alloy Wiper (Optional)
- Support ONVIF 2.2
- Auto Tracking Function (Optional)
- Video Analysis Light-Adjustment Technology
- IP 66 all-environments protection

SPECIFICATIONS

Model	PR-IP 9733 LIPZ	PR-IP 9722 LIPZ	PR-IP 9720 LIPZ	PR-IP 9730 LIPZ
Image Sensor	1/3" Progressive Scan CMOS		1/2.8" Progressive Scan CMOS	
Resolution	720p(1280X720)		1080p(1920X1080)	
Mini Illumination	0.05 Lux (Colour) (F1.6,AGC ON), 0.01 Lux (B/W) (F1.6,AGC ON)		0.05 Lux (Colour) (F1.6,AGC ON), 0.01 Lux (B/W) (F1.6,AGC ON)	
Lens	f=4.7~94 mm	f=4.7~94 mm	f=4.3~129 mm	f=4.3~129 mm
IRIS	F1.6~F3.5	F1.6~F3.5	F1.6~F5.0	F1.6~F5.0
Angle of View	61.4°(wide) ~ 2.9°(tele)	58.3°(wide) ~ 3.2°(tele)	58.9°(wide) ~ 2.11°(tele)	65.1°(wide) ~ 2.34°(tele)
Min Object Distance	10mm~1500mm			
Optical Zoom	30x	20x	20x	30x
Digital Zoom	12x	12x	12x	12x
Electronic Shutter	1/1~1/30,000s	1/1~1/10,000s	1/1~1/10,000s	1/1~1/30,000s
Day/Night	ICR (Auto/Day/Night)			
Focus	Auto/Manual/Semi-auto			
BLC	on/off			
White balance	MWB/AWB1/AWB2/Incandescent Camp/ Outdoor/Indoor/Fluorescent Lamp			
SNR	>52dB			
Gain Control	Auto/Manual			
WDR	Support			
Mirror Image	Level, Tilt, Centre			
Noise Reduction	3D			
Solution	Ambarella A55			
Video Coding	H.264 Main Profile MJPEG/JPEG Baseline			
Dual-stream	Support			
Image Resolution	Main stream : 1280x720 720P Second stream : 704x576 D1			
Audio Coding	G.711ulaw/G.711alaw/G.726			
ONVIF Protocol	Support			
NETWORK PROTOCAOL	TCP/IP、HTTP、DHCP、DNS、 DDNS、RTP、RTSP、PPPoE、 SMTP、NTP、UPnP、SNMP、 FTP、802.1x、QoS、HTTPS、 IPv6 (SIP,SRTP,optional)			
Port	1 channel audio input, 1 channel audio output, 1 channel alarm input, 1 channel alarm output, 1channel network port, 1channel analog output, 1channel power supply input			
Laser Projection Distance	300m			
Pan Range	360°			
Tile Range	-10°~90° auto flip			
Manual Speed	Horizontal: 0.01°/s- 350°/s,Vertical: 0.01°/s- 120°/s			
Preset Speed	Pan: 350°/s, Tile: 120°/s			
Preset	256			
Auto Cruising	8 groups (32 Preset/group)			
Auto Scan	8 groups (setup left and right boundary)			
Pattern Scanning	4 groups			
Auto-tracking	Optional			
Wiper	Optional			
Bracket	Wall mount/ Pendant mount			
Junction Box	Optional			
OSD Menu	English/Chinese			
Timing function	Support			
Alarm	7 inputs/ 2 outputs (Optional)			
Power Supply	DC12V±10%			
Power consumption	≤50W			
Working Temp	-35°C +60°C			
Working Humidity	<95%, no condensing			
Protection Level	IP66, the secondary lightning protection, 3000V anti-surge design			

DIMENSIONS



PR-IP 9800 LIPZ Series

Features

- 720p/1080p FULL HD-IP
- Laser Projection Distance 500m
- All Cast Aluminium Material
- Powerful 20x/30x optical zoom
- Full Aluminium Alloy Wiper (Optional)
- Support ONVIF 2.2
- Auto Tracking Function (Optional)
- Video Analysis Light-Adjustment Technology
- IP 66 all-environments protection

SPECIFICATIONS

Model	PR-IP 9833 LIPZ	PR-IP 9822 LIPZ	PR-IP 9820 LIPZ	PR-IP 9830 LIPZ
Image Sensor	1/3" Progressive Scan CMOS		1/2.8" Progressive Scan CMOS	
Resolution	720P(1280X720)		1080P(1920X1080)	
Mini Illumination	0.05 Lux (Colour) (F1.6,AGC ON), 0.01 Lux (B/W) (F1.6,AGC ON)		0.05 Lux (Colour) (F1.6,AGC ON), 0.01 Lux (B/W) (F1.6,AGC ON)	
Lens	f=4.7~94 mm	f=4.7~94 mm	f=4.3~129 mm	f=4.3~129 mm
IRIS	F1.6~F3.5	F1.6~F3.5	F1.6~F5.0	F1.6~F5.0
Angle of View	61.4°(wide) ~ 2.9°(tele)	58.3°(wide) ~ 3.2°(tele)	58.9°(wide) ~ 2.11°(tele)	65.1°(wide) ~ 2.34°(tele)
Min Object Distance	10mm~1500mm			
Optical Zoom	30x	20x	20x	30x
Digital Zoom	12x	12x	12x	12x
Electronic Shutter	1/1~1/30,000s	1/1~1/10,000s	1/1~1/10,000s	1/1~1/30,000s
Day/Night	ICR (Auto/Day/Night)			
Focus	Auto/Manual/Semi-auto			
BLC	on/off			
White balance	MWB/AWB1/AWB2/Incandescent Camp/ Outdoor/Indoor/Fluorescent Lamp			
SNR	>52dB			
Gain Control	Auto/Manual			
WDR	Support			
Mirror Image	Level, Tilt, Centre			
Noise Reduction	3D			
Solution	Ambarella A55			
Video Coding	H.264 Main Profile MJPEG/JPEG Baseline			
Dual-stream	Support			
Image Resolution	Main stream : 1280x720 720P Second stream : 704x576 D1			
Audio Coding	G.711ulaw/G.711alaw/G.726			
ONVIF Protocol	Support			
NETWORK PROTOCAOL	TCP/IP、HTTP、DHCP、DNS、 DDNS、RTP、RTSP、PPPoE、 SMTP、NTP、UPnP、SNMP、 FTP、802.1x、QoS、HTTPS、 IPv6 (SIP,SRTP,optional)			
Port	1 channel audio input, 1 channel audio output, 1 channel alarm input, 1 channel alarm output, 1channel network port, 1channel analog output, 1channel power supply input			
Laser Projection Distance	300m			
Pan Range	360°			
Tile Range	-10°~90° auto flip			
Manual Speed	Horizontal: 0.01°/s- 350°/s,Vertical: 0.01°/s- 120°/s			
Preset Speed	Pan: 350°/s, Tile: 120°/s			
Preset	256			
Auto Cruising	8 groups (32 Preset/group)			
Auto Scan	8 groups (setup left and right boundary)			
Pattern Scanning	4 groups			
Auto-tracking	Optional			
Wiper	Optional			
Bracket	Wall mount/ Pendant mount			
Junction Box	Optional			
OSD Menu	English/Chinese			
Timing function	Support			
Alarm	7 inputs/ 2 outputs (Optional)			
Power Supply	DC12V±10%			
Power consumption	≤50W			
Working Temp	-35°C +60°C			
Working Humidity	<95%, no condensing			
Protection Level	IP66, the secondary lightning protection, 3000V anti-surge design			

DIMENSIONS

